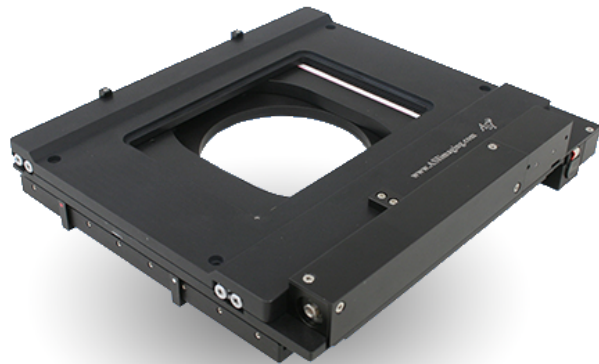
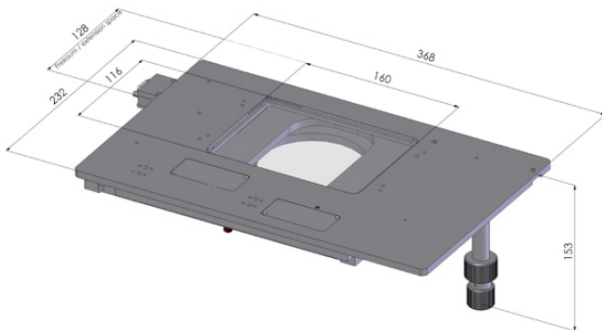


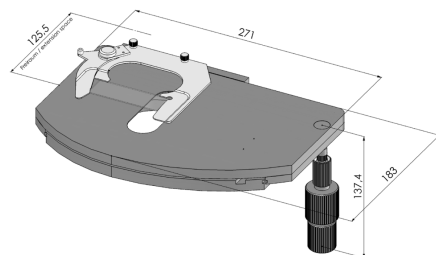
Microscope Imaging Stages



Applied Scientific Instrumentation MS-4400 Motorized Stage



Marzhauser MTM Encoded Stage



Marzhauser EK Encoded Stage

ASI Motorized Stages

These stages are **controlled by BIOQUANT** software to move the sample and, in some cases, automatically adjust focus. Supports the **rotating sample holders**. Used with **BIOQUANT SCAN**.

Marzhauser MTM Stages

These stages are **moved by hand**. BIOQUANT software can ask the stage for the current position of the sample. Supports the **rotating sample holders**. Used with **live image measurement**.

Marzhauser EK Stages

These stages are **moved by hand**. BIOQUANT software can ask the stage for the current position of the sample. Only supports the **spring arm slide holder**. Used with **live image measurement**.

	MS4400 XYZ AF	MS4400 XY	MTM XY	EK XY
Manufacturer	Applied Scientific	Applied Scientific	Marzhauser	Marzhauser
Model Number	MS-4400 Autofocus	MS-4400	MTM-MR	EK-MR
Movement	Motorized XYZ	Motorized XY	Manual XY	Manual XY
Encoder Structure and Positional Accuracy				
Encoder Geometry	Rotary	Rotary	Linear	Linear
Encoder Sensor	Optical	Optical	Magnetic	Magnetic
XY Resolution	.02 microns	.02 microns	.05 microns	.05 microns
Z Resolution	.05 microns	N/A	N/A	N/A
XY Accuracy	+/- .7 microns	+/- .7 microns	+/- 1.0 microns	+/- 1.0 microns
Controller Features				
Display	XYZ Position + Focus	XY Position	XY Position	XY Position
PC Interface	9-pin Serial Port	9-pin Serial Port	9-pin Serial Port	9-pin Serial Port
Available Sample Holders				
Spring Arm	25x75mm slides 50x75mm slides	25x75mm slides 50x75mm slides	25x75mm slides 50x75mm slides	25x75mm slides 50x75mm slides
Rotating	25x75mm slides 50x75mm slides	25x75mm slides 50x75mm slides	25x75mm slides 50x75mm slides	N/A
Well Plate	85x127mm plates	N/A	N/A	N/A
Multi-slide	25x74mm slides x 4	N/A	N/A	N/A
Stage Physical Specifications				
Compatible Microscopes	Most Upright Most Inverted	Most Upright Most Inverted	Most Upright	Most Upright
XY Mount Type	Bolts / Dovetail	Bolts / Dovetail	Bolts / Dovetail	Bolts / Dovetail
Z Mount Type	Direct to Focus Axle	N/A	N/A	N/A
Stage Mass	6 kg	6 kg	4 kg	2 kg