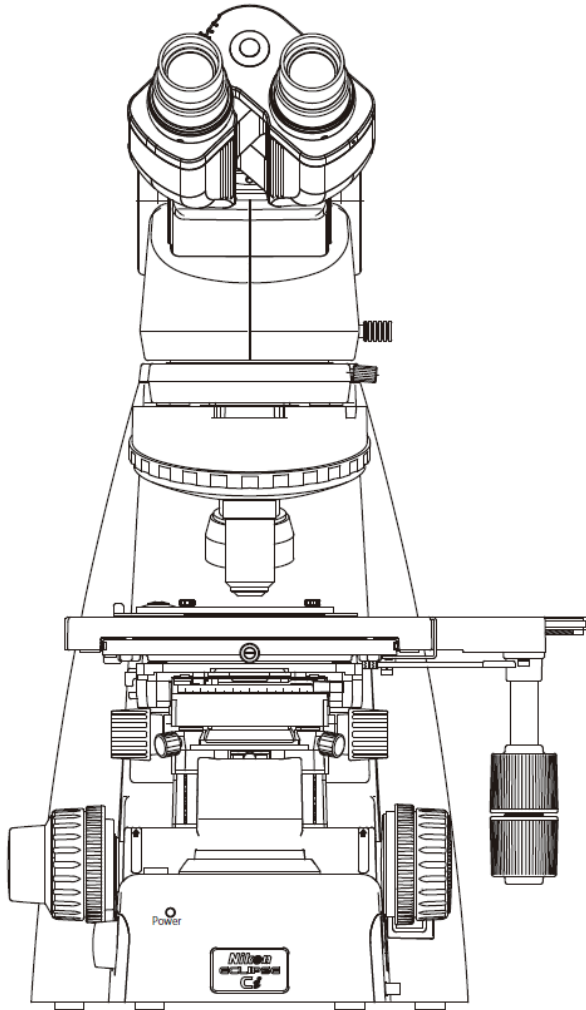
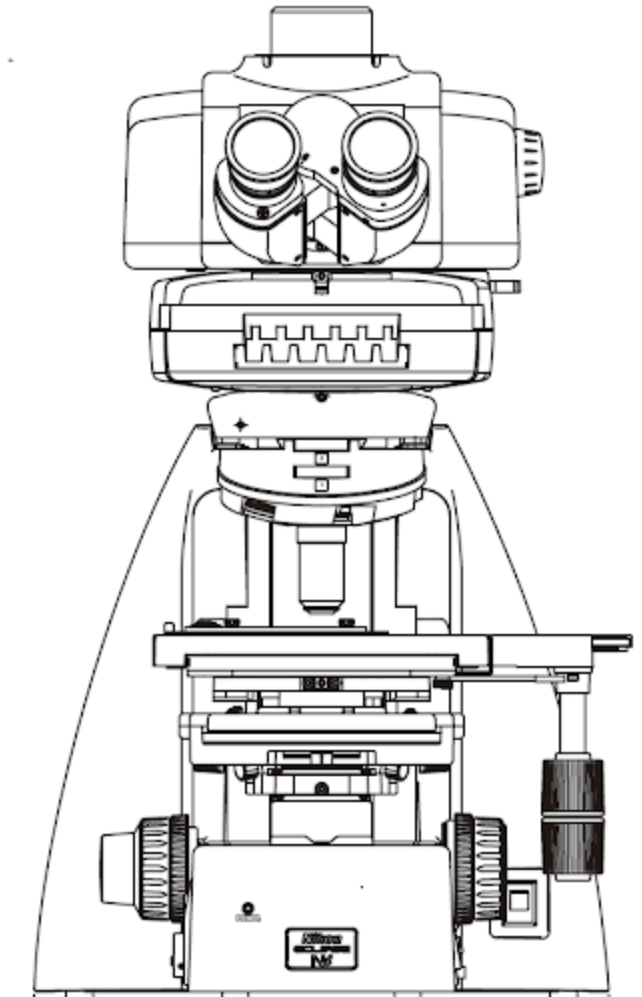


# Nikon Microscope Options



**Nikon CiS Microscope**



**Nikon NiU Microscope**

BIOQUANT offers two models of microscope from Nikon Instruments: The CiS and NiU. The NiU is a larger scope with a 100 watt transmitted light source and a 6 position fluorescence filter cube turret. The CiS is a smaller scope with a 30 watt transmitted light source and a 4 position fluorescence cube turret. They are both compatible with all BIOQUANT imaging kits. A detailed comparison follows.

	<b>Nikon Ci-S</b>	<b>Nikon Ni-U</b>
<b>Model Number</b>	Nikon Ci-S	Nikon Ni-U
<b>Microscope Base</b>		
<b>Default Stage</b>	Manual Stage	Manual Stage
<b>Optical System</b>	CFI60 Infinity Optics	CFI60 Infinity Optics
<b>Condenser</b>	Achromatic 2X - 100X Swing Top	Achromatic 2X - 100X Swing Top
<b>Integrated Filters</b>	N/A	Daylight, Neutral Density
<b>Transmitted Light</b>	30 Watt Halogen	100 Watt Halogen
<b>Polarization</b>	Linear	Linear
<b>Microscope Head</b>		
<b>Head Design</b>	Trinocular	Trinocular
<b>Camera / Eyepiece Split</b>	80% Camera / 20% Eyepieces	80% Camera / 20% Eyepieces
<b>Camera Adapter</b>	0.7X C-Mount	0.7X C-Mount
<b>Epi-Fluorescence Accessories</b>		
<b>Filter Cube Turret</b>	4 Position	6 Position
<b>Default Filter Cube</b>	Chroma 69401 DAPI/FITC/TXRED	Chroma 69401 DAPI/FITC/TXRED
<b>Illuminator</b>	CoolLED pE-300White	CoolLED pE-300White
<b>Estimated Lamp Life</b>	25,000 hours	25,000 hours
<b>Lamp Collumation</b>	Automatic	Automatic
<b>Objectives</b>		
<b>2X</b>	Plan Achromatic 0.6NA	Plan Achromatic 0.6NA
<b>4X</b>	Plan Fluor 0.13NA	Plan Fluor 0.13NA
<b>10X</b>	Plan Fluor 0.3NA	Plan Fluor 0.3NA
<b>20X</b>	Plan Fluor 0.5NA	Plan Fluor 0.5NA
<b>40X</b>	Plan Fluor 0.75NA	Plan Fluor 0.75NA